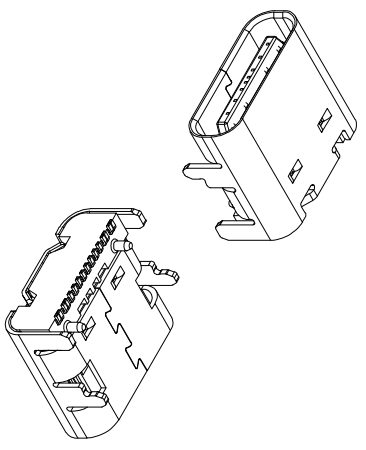
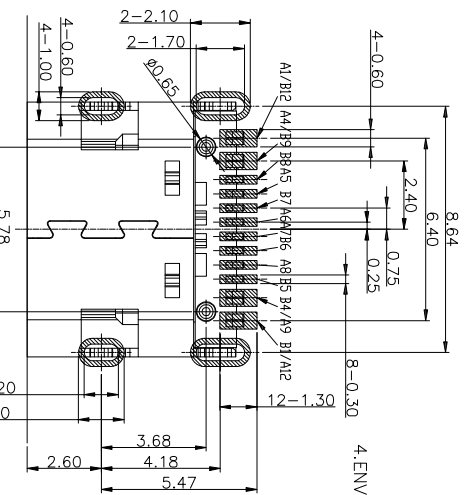
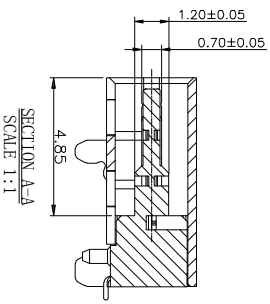
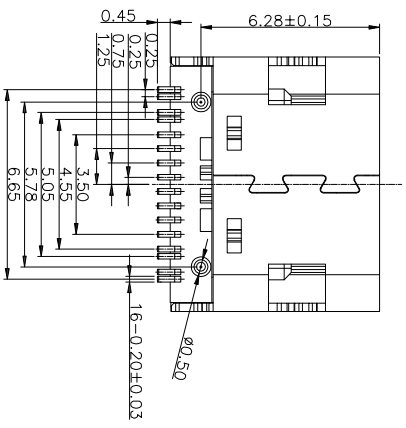
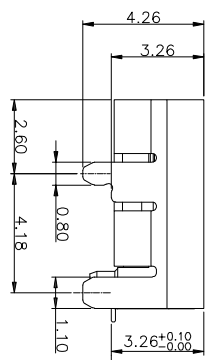
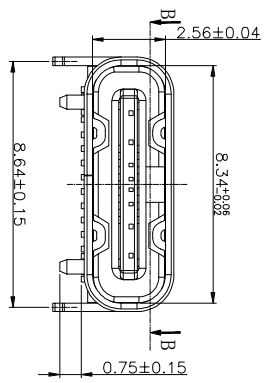
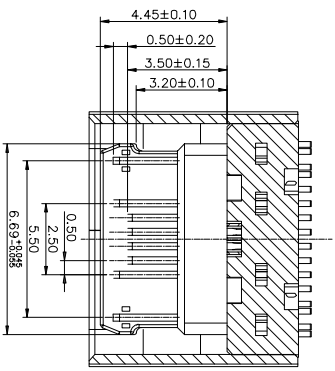


REV.	ECN. NO.	APPD.
A	EXXXXXXXXXXX	yongguifeng

- NOTES:
- MATERIAL: LCP UL94 V-0
MOLDING: LCP UL94 V-0
CONTACT: COPPER ALLOY.
NICKEL PLATING ALL OVER
GOLD PLATED ON THE FUNCTIONAL AREA OF CONTACT.
GOLD PLATED ON SOLDER AREA
SHELL: SUS304-H, T=0.30±0.03mm
NICKEL PLATING OVER ALL.
 - MECHANICAL:
INSERTION: 5~20N,
EXTRACTION: 8~20N AFTER TEST.
 - ELECTRICAL:
CURRENT: 5A FOR VBUS;
1.25A FOR GND PIN,
0.25A FOR OTHER.
VOLTAGE: 20 V MAX.
WITHSTANDING VOLTAGE: 100V AC R.M.S
CONTACT RESISTANCE: 40mΩ MAX.
INSULATION RESISTANCE: 100MΩ MIN.
TEMPERATURE RANGE -55°C ~ +85°C



SECTION B-B
SCALE 1:1



- U572-841X-XXXXX8
- 1: 铁壳镀镍
 - 5: 铜壳镀镍
 - B: 不锈钢镀镍
 - 1: 半金1u"
 - 3: 半金3u"
 - 5: 半金5u"
 - G: 半金G/Fu"
 - 9: 镀全金1u"
 - 4: 镀全亮锡
 - 1: PA66
 - 2: PBT
 - 6: LCP
 - 1: 吸塑盒
 - 2: 吸塑管
 - 3: 载带
 - 6: 载带+贴麦拉
 - 1: 黑色
 - 2: 白色
 - 3: 米黄色

RECOMMENDED P.C.B. LAYOUT
TOLERANCE UNSPECIFIED ±0.05mm

NO	Symbol	Description	NO	Symbol	Description
1	NOB	FRONT COVER	102	NOB	FRONT COVER
2	YES	NOB NEW	103	YES	NOB NEW
3	YES	NOB NEW	104	NOB	FRONT COVER
4	CC	CONTOUR	105	NOB	FRONT COVER
5	NOB	FRONT COVER	106	NOB	FRONT COVER
6	NOB	FRONT COVER	107	NOB	FRONT COVER
7	NOB	FRONT COVER	108	NOB	FRONT COVER
8	NOB	FRONT COVER	109	NOB	FRONT COVER
9	NOB	FRONT COVER	110	NOB	FRONT COVER
10	NOB	FRONT COVER	111	NOB	FRONT COVER
11	NOB	FRONT COVER	112	NOB	FRONT COVER

TOLERANCE UNLESS OTHERWISE SPECIFIED	XXX ±0.10 XX ±0.20 X ±0.30	X ±3 XX ±2	HLW 深圳市华联威电子科技有限公司
PART NAME:	HUA LIAN WEI TECHNOLOGY ELECTRONICS CO.,LTD.		
PART No:	TYPE C 16P四脚插SMT7.35		
CHECKED	yongguifeng	PROJECTION:	UNIT: mm
DRAWN	2021.12.01	SCALE	1:1
DATE	2021.12.01	SHEET	1 OF 1
		REV.	A