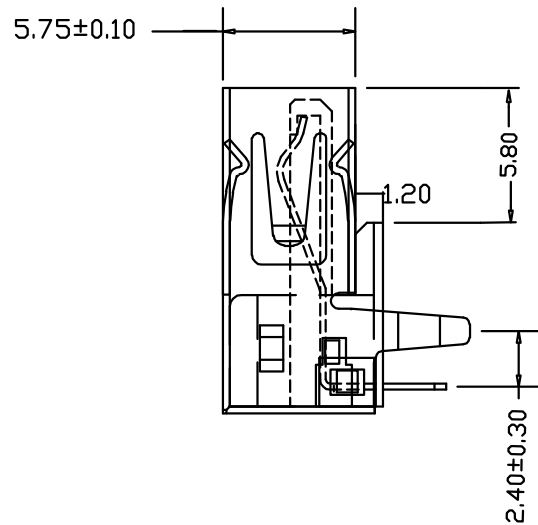
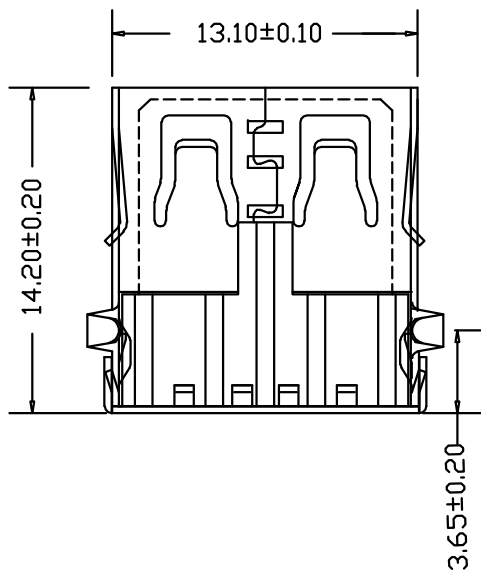


REV.	ECN.NO.	APPD.
A	/	pcy
A1	/	WH



NOTES:

1.MATERIAL:

- 1.1 Housing:thermoplastic plastics
- 1.2 terminals:Copper Alloy
Gold plated in contact area:
Tin plated in termination
Nickel Plated overall
- 1.3 Shell:Steel&Copper Alloy
Nickel Plated overall

2.ELECTRICAL CHARACTERISTICS:

- 2.1 Rating Current :1.5 Ampere
- 2.2 Rating Voltage :30 V Max
- 2.3 Contact Resistance:30 Milli ohms
- 2.4 Insulation Resistance:1000 Mega ohms Min.

3.MECHANICAL CHARACTERISTICS:

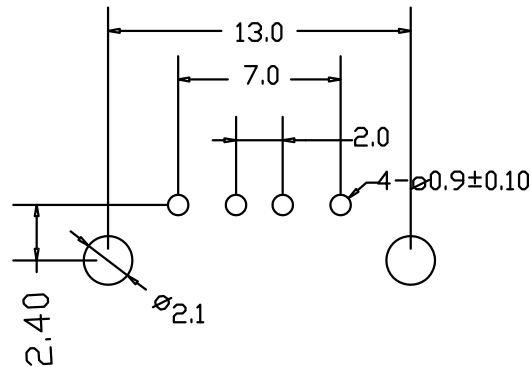
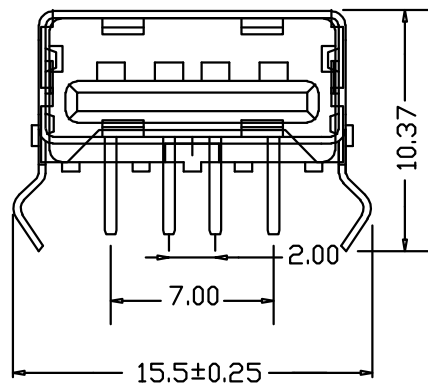
- 3.1 Connector Mating force: 35N MAX(3.57Kgf)
- 3.2 Connector Unmating force:10N min(1.02Kgf)
- 3.3 Durability:1500Cycles.

4.ENVIRONMENT CHARACTERISTICS:

- 4.1 Operating temperature:-0°C to +50°C
- 4.2 Storage temperature:-20°C to +60°C

U221-7821-122018

- 1:铁壳镀镍
- 1:1u" Au
- 1:吸塑盒
- 2:白色
- 2:PBT



TOLERANCE UNLESS OTHERWISE SPECIFIED		FLW 深圳市华联威电子科技有限公司			
.XXX ±0.10	.XX ±0.20	.X ±0.30	HUA LIAN WEI TECHNOLOGYELECTRONICS CO;LTD.		
.XX ±0.20	.X ±0.30	.X' ±3'			
.X ±0.30	.XX' ±2'				
APPROVED		PART NAME:	USB AF 弯脚有盖无卷边反向防火白铁		
CHECKED		PART No:	U221-7821-122018		C
DRAWN	weihong	PROJECTION:	UNIT:	SCALE	SHEET
DATE	2021. 9. 25		mm	1:1	10F1
					REV. A1