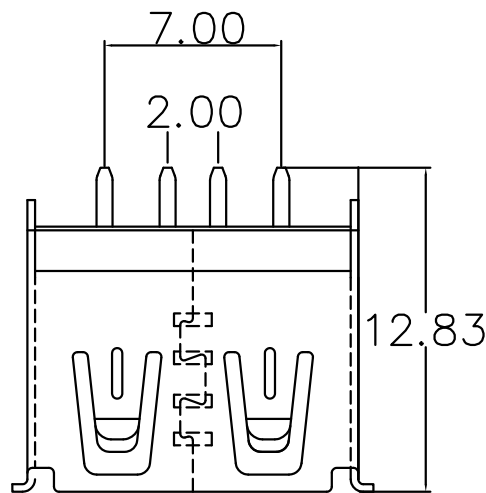
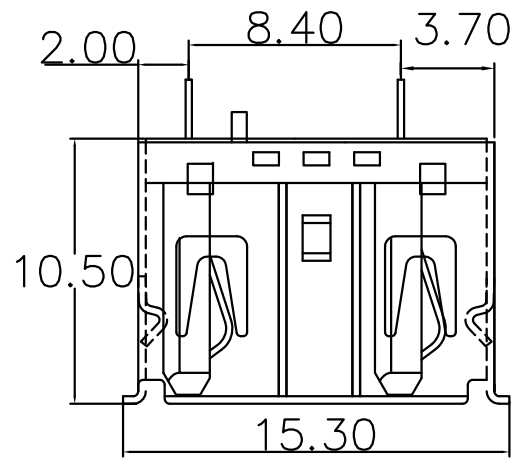
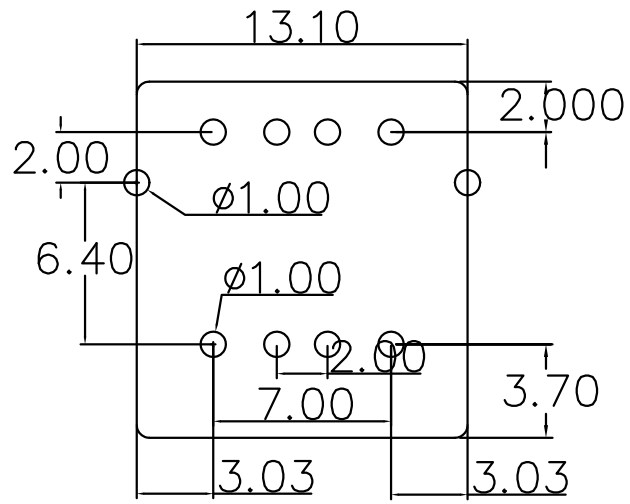
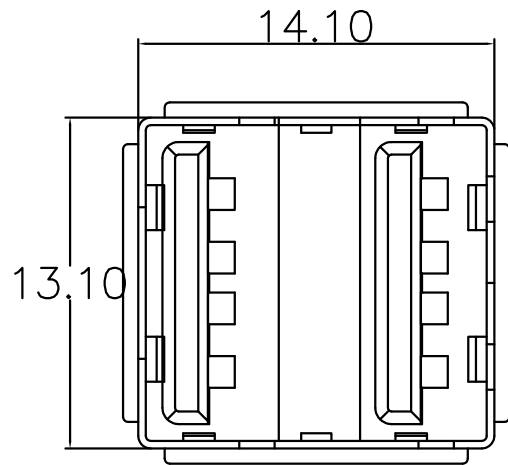


REV.	ECN.NO.	APPD.
A0	/	/



NOTES:

- MATERIAL:
 - Housing: thermoplastic plastics
 - terminals: Copper Alloy
Gold plated in contact area:
Tin plated in termination
Nickel Plated overall
 - Shell: Steel & Copper Alloy
Nickel Plated overall
- ELECTRICAL CHARACTERISTICS:
 - Rating Current : 1.5 Ampere
 - Rating Voltage : 30 V Max
 - Contact Resistance: 30 Milli ohms
 - Insulation Resistance: 1000 Mega ohms Min.
- MECHANICAL CHARACTERISTICS:
 - Connector Mating force: 35N MAX(3.57Kgf)
 - Connector Unmating force: 10N min(1.02Kgf)
 - Durability: 1500 Cycles.
- ENVIRONMENT CHARACTERISTICS:
 - Operating temperature: -0°C to +50°C
 - Storage temperature: -20°C to +60°C

U223-3031-XXX0X7

G: 半金G/Fu
1: 吸塑盒
2: 白色
2: PBT

TOLERANCE UNLESS OTHERWISE SPECIFIED	
.XXX ±0.10	.X' ±3'
.XX ±0.20	.XX' ±2'
.X ±0.30	

FLW 深圳市华联威电子科技有限公司

HUA LIAN WEI TECHNOLOGY ELECTRONICS CO;LTD.

APPROVED		PART NAME:	USB AF 180度双层直10.5mm			
CHECKED		PART No:	U223-3031-G22017			C
DRAWN	weihong	PROJECTION:	UNIT:	SCALE	SHEET	REV.
DATE	2021. 12. 20		mm	1:1	10F1	A0