

9

8

7

6

5

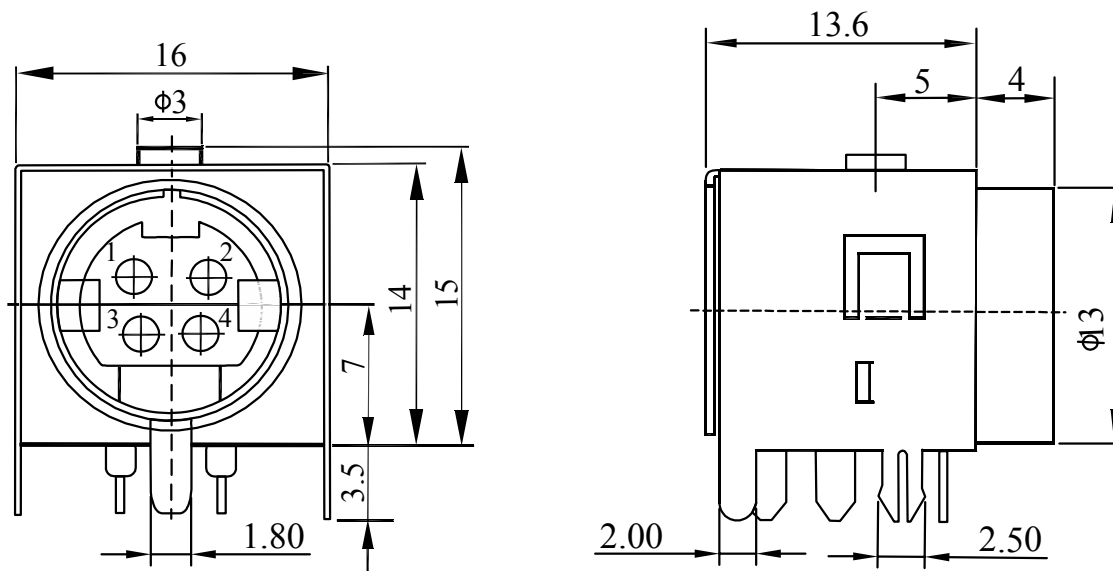
4

3

2

1

REV.	ECN.NO.	APPD.
A	EXXXXXXXXXX	chenyiting



PCBLAYOUT( BOTTOM VIEW )

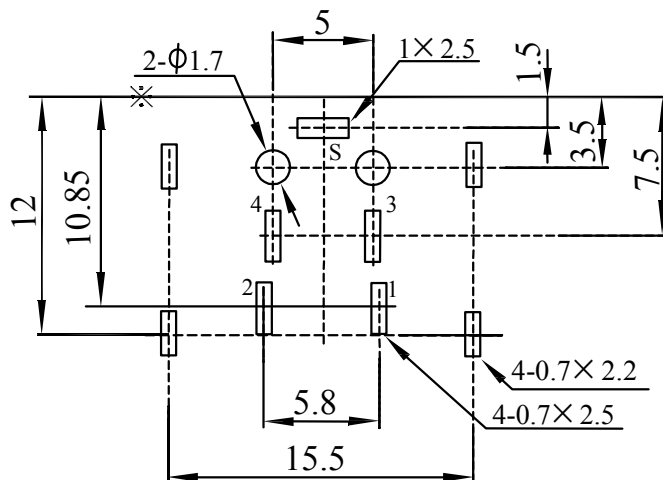
- 1.CURRENT RATING : 1.0 AMP. MAX.
- 2.DIELECTRIC WITHSTANDING : AC 500V/min R.M.S.
- 3.INSULATION RESISTANCE : 100M $\Omega$  min. AT 100V DC.
- 4.CONTACT RESISTANCE : 50m $\Omega$  MAX.
- 5.OPERATING TEMPERATURE : -25°C TO +85°C.
- 6.DURABILITY : 1500 CYCLES.
- 7.MATING FORCE : 3kgs MAX
- 8.UNMATING FORCE :0.3~3.0kgs
- 9.MAX PROCESSING TEMPERATURE :  
60 SECONDS IN 230°C AND 10 SECONDS IN 260°C

JK1-232-D218-1

1: 黑色

D: 镀银

2: PBT



TOLERANCE UNLESS OTHERWISE SPECIFIED		<b>HLW</b> 深圳市华联威电子科技有限公司						
.XXX $\pm 0.10$	.X' $\pm 3'$	HUA LIAN WEI TECHNOLOGY ELECTRONICS CO;LTD.						
.XX $\pm 0.20$	.XX' $\pm 2'$							
.X $\pm 0.30$		APPROVED	PART NAME:	DS 端子 大孔四芯半包				
		CHECKED	PART No:	JK1-232-D218-1	C			
		DRAWN	chenyiting	PROJECTION:	UNIT:	SCALE	SHEET	REV.
		DATE	2023.03.28		mm	1:1	1 OF 1	A

9

8

7

6

5

4

3

2

1