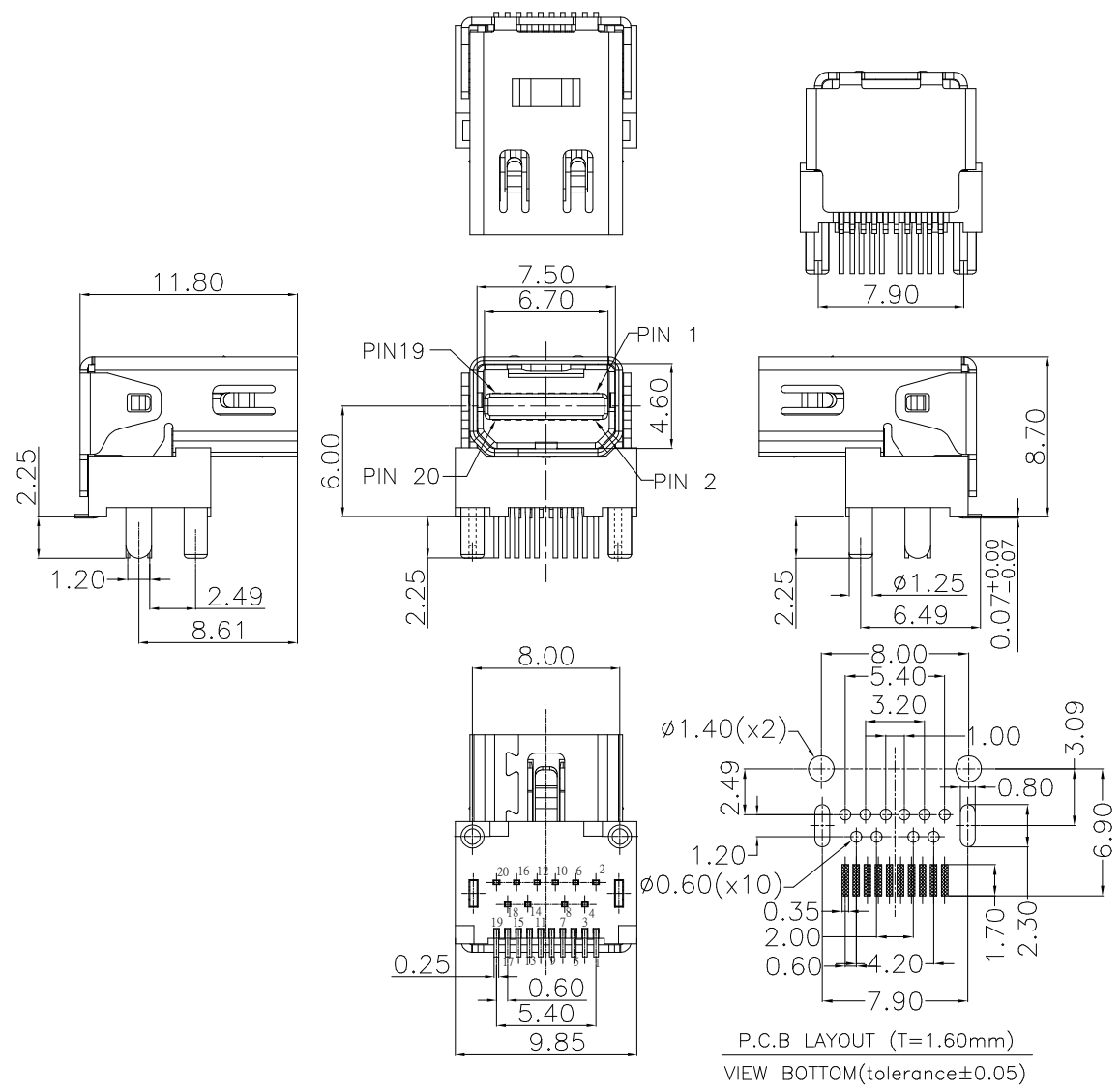


REV.	ECN.NO.	APPD.
A	/	pcy

NOTES:

- MATERIL
  - HOUSING:HI-TEMP PLASTIC (UL94-V-0),BLACK
  - CONTACT:COPPER ALLOY(T=0.20),  
PLATING:GOLD PLATED ON CONTACT AREA,  
TIN PLATED ON SOLDER TAILS,UNDER  
NICKEL PLATED.
  - SHELL:BRASS(T=0.40),PLATING:NICKEL PLATED,
  - SPRING SHELL: STAINLESS SUS304 T=0.20mm
  - COVER: HI-TEMP,PLASTIC(UL94V-0)BLACK,
- SPECIFICATION:
  - CURRENT RATING: 0.5 A
  - CONTACT RESISTANCE: 30mΩ MAX.
  - DIELECTRIC WITHSTANDING VOLTAGE: 500V AC  
R.M.S FOR ONE MINUTE.
  - INSULATION RESISTANCE: 100MΩ MIN AT 500V DC.
  - OPERATING TEMPERATURE: -25° TO +85°.
  - DURABILITY: 10000 CYCLES.
  - MATING FORCE: 4.5KG MAX.
  - UNMATING FORCE: 1.0KG MIN



DP23-011X-XXXX1

- 5:Copper alloy Ni plating
- 1:tray
- 2:Tube
- 8:Tape&Reel
- 9:Tape&Reel+Mylar
- 1:Au 1u"
- 3:Au 3u"
- 5:Au 5u"
- 7:Au 10u'
- 8:Au 15u"
- A:Au 30u"
- 1:Black
- 2:White
- 3.Beige
- N.Pure White
- 1:PA66
- 2:PBT
- 6:LCP

P.C.B LAYOUT (T=1.60mm)  
VIEW BOTTOM(tolerance±0.05)

TOLERANCE UNLESS OTHERWISE SPECIFIED		<b>FLW</b> 深圳市华联威电子科技有限公司			
.XXX ±0.10		HUA LIAN WEI TECHNOLOGY ELECTRONICS CO;LTD.			
.XX ±0.20		.X' ±3'		C	
.X ±0.30		.XX' ±2'		A	
APPROVED		PART NAME:	mini Displayport 母20PIN SMT式 无弹片		
CHECKED		PART No:	DP23-011X-XXXX1	C	
DRAWN	pengchaoyong	PROJECTION:	UNIT:	SCALE	SHEET
DATE	2015.06.19		mm	1:1	10F1
					REV. A